

NEUROSCIENCE 2017

第40回 **日本神経科学大会**



2017年7月20日(木) - 7月23日(日)

July 20-23, 2017

進化する神経科学

Pushing the Frontiers of Neuroscience



会場：幕張メッセ

Venue: Makuhari Messe

大会長：狩野 方伸 (東京大学大学院医学系研究科)

President: Masanobu Kano (Graduate School of Medicine, The University of Tokyo)

<http://www.neuroscience2017.jnss.org/>

Sponsorship Prospectus

Luncheon Seminar / Exhibition / Advertisement ... etc.

Greetings

Neuroscience 2017, the 40th Annual Meeting of the Japan Neuroscience Society, will be held at Makuhari Messe over a three-day period from July 20 (Thursday) to 22 (Saturday), 2017.

When the First Annual Meeting was held in 1978, it was a relatively small assembly of neuroscience researchers from established disciplines such as anatomy, physiology, pharmacology, biochemistry, and biophysics. In the subsequent decades, neuroscience has made marked progress by engaging in intense cooperation and integrated research activities with other disciplines, including molecular biology, cell biology, computational science, engineering, and psychology, as well as clinical neurosciences including neurology, psychiatry, neurosurgery, and rehabilitation medicine. In parallel with these developments, the annual meeting has steadily grown, both in terms of the number of participants and the diversity of their research fields. Consequently, the conference has grown into a major forum where basic, applied, and clinical neuroscientists can present their findings and exchange information about their research. Today, neuroscience spans multiple disciplines of life science, medicine, engineering, and humanities, and has the potential for limitless expansion in the future. The motivation for the continuous development of neuroscience is presumably derived from our fundamental desire to understand the brain functions that underlie the mind, and our calling to overcome the neurological and psychiatric disorders that are becoming increasingly important issues in modern society. To achieve these goals, neuroscientists have introduced a wide variety of new methods and are constantly creating technological innovations. These novel approaches include not only technologies common to life sciences, such as genome editing and iPS cells, but also techniques specific to neuroscience research such as optogenetics, imaging of activity in neuronal populations, and non-invasive imaging of brain structure and activity. As a result, neuroscience is constantly changing, promoting interactions with related research fields, and making progress toward the future. As the theme for Neuroscience 2017, we chose “Pushing the Frontiers of Neuroscience,” with the hope that participants will perceive the infinite potential of neuroscience. Large-scale projects to elucidate the connectivity and function of the whole brain are now underway in the USA, Europe, and Japan, and similar efforts are planned or under development in other countries. Therefore, we expect that exciting new results from these studies will be presented at Neuroscience 2017.

Along these lines, we are planning a program that will allow participants to engage with the forefront of research in their own specialties, as well as obtain a broad range of information in various research fields and disciplines of neuroscience. Accordingly, we feature plenary lectures and special lectures by top neuroscientists who are “Pushing the Frontiers of Neuroscience,” and we have enhanced the contents of symposia and educational lectures. We encourage active participation by female and junior neuroscientists, as well as oversea scientists, especially those from neighboring Asian countries. We sincerely hope that our annual meeting will provide a forum where participants can obtain up-to-date information, present their exciting new findings, interact with their peers, and eventually contribute to “Pushing the Frontiers of Neuroscience.”

Masanobu Kano, M.D., Ph.D.

President

The 40th Annual Meeting of the Japan Neuroscience Society
Department of Neurophysiology, Graduate School of Medicine, The University of Tokyo

Meeting Outline

- Title The 40th Annual Meeting of The Japan Neuroscience Society (Neuroscience 2017)
- Theme Pushing the Frontiers of Neuroscience
- Date July 20 (Thu) – 23 (Sun), 2017
*No symposia, oral presentation, poster presentation and exhibition, but special programs are scheduled on July 23(Day 4).
- Venue Makuhari Messe – International Conference Hall
International Exhibition Hall 8
- Purpose & Significance Under the theme of “Pushing the Frontiers of Neuroscience”, this meeting invites leading neuroscience researchers from across Japan and overseas, and aims to offer a place where neuroscience researchers in various fields spanning from basic study to applied and clinical studies present their new findings and share information with each other, and encourage them to interact regardless of their genders, ages, disciplines and nationalities.
- Program Plenary Lectures
Special Lectures
Symposia
Educational Lectures
Award Lectures
Oral / Poster Presentation
Luncheon Seminars
Exhibition
- Expected Number of Participants 3,500

● Organizers

President: Masanobu Kano (The University of Tokyo)

Executive Committee Chair: Shigeo Okabe (The University of Tokyo)

Executive Committee Vice-Chair: Nobuhito Saito (The University of Tokyo)

Executive Committee Members:

Yukiko Gotoh (The University of Tokyo)
Hirokazu Hirai (Gunma University)
Takeshi Iwatsubo (The University of Tokyo)
Haruo Kasai (The University of Tokyo)
Kiyoto Kasai (The University of Tokyo)
Kazuo Kitamura (University of Yamanashi)
Masanori Matsuzaki (The University of Tokyo)
Kenichi Ohki (The University of Tokyo)
Toshihisa Ohtsuka (University of Yamanashi)
Hiroki R Ueda (The University of Tokyo /RIKEN Quantitative Biology Center)

Organizing Committee Chair: Nobutaka Hirokawa (The University of Tokyo)

Organizing Committee Members:

Toshikazu Hasegawa (The University of Tokyo)
Teruhiko Higuchi (National Center of Neurology and Psychiatry)
Yasuo Ihara (Doshisha University)
Nobumasa Kato (Showa University)
Mitsuo Kawato (ATR Brain Information Communication Research Laboratory Group)
Katsuhiko Mikoshiba (RIKEN Brain Science Institute)
Yasushi Miyashita (Juntendo University)
Hideyuki Okano (Keio University)
Noriko Osumi (Tohoku University Graduate School of Medicine)
Susumu Tonegawa (RIKEN Brain Science Institute/Massachusetts Institute of Technology)
Tadaharu Tsumoto (RIKEN Brain Science Institute)
Shigeto Yamawaki (Hiroshima University)

Program Committee Chair: Haruhiko Bito (The University of Tokyo)

Program Committee Members:

Atsu Aiba (The University of Tokyo)
Upinder Bhalla (National Centre for Biological Sciences, Bangalore, India)
Kenji Doya (Okinawa Institute of Science and Technology Graduate University)
Ichiro Fujita (Osaka University / Center for Information and Neural Networks)
Fumino Fujiyama (Doshisha University)
Masaki Fukata (National Institute for Physiological Sciences)
Tomoyuki Furuyashiki (Kobe University)
Yukiko Goda (RIKEN Brain Science Institute)
Hiroaki Gomi (NTT Communication Science Laboratories)
Carina Hanashima (RIKEN Center for Developmental Biology)

Masahiko Haruno	(NICT National Institute for Physiological Sciences)
Nobutaka Hattori	(Juntendo University)
Shigang He	(Shanghai Jiao Tong University)
Tatsumi Hirata	(National Institute of Genetics)
Yuji Ikegaya	(The University of Tokyo)
Tadashi Isa	(Kyoto University)
Shin Ishii	(Kyoto University)
Yoshikazu Isomura	(Tamagawa University)
Takeshi Iwatsubo	(The University of Tokyo)
Bong-Kiun Kaang	(Seoul National University)
Hiroyuki Kamiguchi	(RIKEN Brain Science Institute)
Azusa Kamikouchi	(Nagoya University)
Takefumi Kikusui	(Azabu University)
Shigeru Kitazawa	(Osaka University)
Kazuto Kobayashi	(Fukushima Medical University)
Kumi Kuroda	(RIKEN Brain Science Institute)
Toshiya Manabe	(The University of Tokyo)
Masanori Matsuzaki	(The University of Tokyo)
Masayuki Miura	(The University of Tokyo)
Mariko Miyata	(Tokyo Women's Medical University)
Ikue Mori	(Nagoya University)
Toshiya Murai	(Kyoto University)
Junichi Nabekura	(National Institute for Physiological Sciences)
Hiroyuki Nakahara	(RIKEN Brain Science Institute)
Kazunori Nakajima	(Keio University)
Kae Nakamura	(Kansai Medical University)
Kinichi Nakashima	(Kyushu University)
Hirofumi Nakatomi	(The University of Tokyo)
Shin'ya Nishida	(NTT Communication Science Laboratories)
Mami Noda	(Kyushu University)
Nobuyuki Nukina	(Doshisha University)
Sonoko Ogawa	(University of Tsukuba)
Kenichi Ohki	(The University of Tokyo)
Hitoshi Okamoto	(RIKEN Brain Science Institute)
Yasumasa Okamoto	(Hiroshima University)
Hitoshi Okazawa	(Tokyo Medical and Dental University/Center for Brain Integration Research)
Hiroyuki Okuno	(Kyoto University)
Hirota Onoe	(RIKEN Center for Life Science Technologies)
Norio Ozaki	(Nagoya University)
Norihiro Sadato	(National Institute for Physiological Sciences)
Takeshi Sakaba	(Doshisha University)
Kuniyoshi L. Sakai	(The University of Tokyo)
Takeshi Sakurai	(Kyoto University)

Kazunobu Sawamoto	(Nagoya City University)
Tomoaki Shirao	(Gunma University)
Kyoko Suzuki	(Yamagata University)
Hidehiko Takahashi	(Kyoto University)
Ryosuke Takahashi	(Kyoto University)
Toru Takumi	(RIKEN Brain Science Institute)
Masaki Tanaka	(Hokkaido University)
Saori Tanaka	(ATR Brain Information Communication Research Laboratory Group)
Yasuo Terao	(Kyorin University)
Makoto Tominaga	(Okazaki Institute for Integrative Bioscience)
Taisuke Tomita	(The University of Tokyo)
Akio Tsuboi	(Nara Medical University)
Ken-Ichiro Tsutsui	(Tohoku University)
Hiroki R. Ueda	(The University of Tokyo / RIKEN Quantitative Biology Center)
Keiji Wada	(National Center of Neurology and Psychiatry)
Ayako M. Watabe	(The Jikei University School of Medicine)
Dai Watanabe	(Kyoto University)
Masahiko Watanabe	(Hokkaido University)
Nobuhiko Yamamoto	(Osaka University)
Koji Yamanaka	(Nagoya University)
Hidenori Yamasue	(Hamamatsu University School of Medicine)
Yumiko Yoshimura	(National Institutes of Natural Sciences)
Michisuke Yuzaki	(Keio University)

*Alphabetical order

● Budget *as of April, 2016

Income		
Item	Amount (JPY)	Remarks
1. Registration Fees	40,100,000	3,000 attendees
2. Seminar Fees	15,000,000	10 seminars
3. Exhibition Fees	22,000,000	100 booths
4. Ad Fees: Web Banner	600,000	3 slots
Ad Fees: Program Booklet	1,400,000	8 pages
5. Subsidies and donations	25,000,000	Incl. grants from Chiba prefecture and foundations etc..
Total (JPY)	104,100,000	

Expenditure		
Item	Amount (JPY)	Remarks
1. Preparation Expenses	<u>21,782,554</u>	
1) Personal	6,851,000	
2) IT Production	4,858,420	Incl. WEB and Abstract Submission/Registration System
3) Print/Production	9,116,660	Incl. Translation Fees
4) Communication/Haulage	956,474	
2. Operational Expenses	<u>72,809,375</u>	
1) Personal	8,866,885	
2) Meeting	8,906,330	
3) Venue Rental	27,507,900	
4) Equipments	9,436,900	
5) Signs and Decoration	3,121,360	
6) Exhibition related	8,470,000	
7) Invitation	6,500,000	
3. Post-meeting Expenses	<u>3,150,300</u>	
4. Reserve Fund	<u>6,357,771</u>	
Total (JPY)	104,100,000	

Sponsorship Package

Sponsorship Package

Platinum / Gold / Silver sponsorship packages are available.

Application deadline for sponsorship package: March 17 (Fri), 2017

Platinum JPY2,700,000 (excl. tax)

●The package offers

1	Luncheon seminar	×1	Highest priority of date & room	1,300,000 - 1,700,000
2	Exhibition booth (A)	×5	Highest priority of booth allocation	1,100,000
3	Web banner	×1		200,000
4	Meeting badge	×5 (incl. participation in the reception)		100,000
Total Value				2,700,000 - 3,100,000

Gold JPY2,100,000 (excl. tax)

●The package offers

1	Luncheon seminar	×1	Higher priority of date & room	1,300,000 - 1,700,000
2	Exhibition booth (A)	×2	Higher priority of booth allocation	440,000
3	Web banner	×1		200,000
4	Meeting badge	×3 (inc. participation in the reception)		60,000
Total Value				2,000,000 - 2,400,000

Silver JPY1,500,000 (excl. tax)

●The package offers

1	Luncheon seminar	×1	High priority of date & room	1,300,000
2	Exhibition booth (A)	×1	High priority of booth allocation	220,000
3	Web banner	×1		200,000
Total Value				1,720,000

Application for sponsorship package: Please fill out the application form and send it to the secretariat below by March 17 (Fri), 2017.

Neuroscience 2017 Secretariat (c/o A&E Planning Co., Ltd.)

Iwanami Shoten Hitotsubashi Bekkan 4F, 2-4-4, Hitotsubashi, Chiyoda-ku, Tokyo 101-0003 Japan

TEL: +81-3-3230-2744 FAX: +81-3-3230-2479 E-mail: e-staff@neuroscience2017.jnss.org

* Priorities will be given on a first-come-first-served basis within each type.

* Additional booths other than one(s) included in package are available at JPY230,000 (excl. tax) per booth.

* Please refer the details of each benefit to the following pages.

Exhibition

Exhibition

- Schedule
 - July 19 (Wed), 2017 2:00 pm – 5:00 pm (Set-up)
 - 20 (Thu), 2017 9:00 am – 5:00 pm
 - 21 (Fri), 2017 9:00 am – 5:00 pm
 - 22 (Sat), 2017 9:00 am – 5:00 pm (Dismantling 5:00 pm –)
- Venue Makuhari Messe – International Exhibition Hall 8
- Acceptable Exhibits Devices, Reagents, Disposable products, Computer system including software or database, Technical service, PR activity of University or Research institution, Other services for research, Related books, Translation service, etc. Exhibits not included in above are not acceptable.
- Number of Booth 100 booths offered
- Application Please fill out the application form and send it to the secretariat by fax or e-mail. Please confirm whether the application form is successfully delivered in order to avoid troubles.
- Application Deadline April 21 (Fri), 2017
- Payment Due June 30 (Fri), 2017
 - *In case that you cannot pay by the due date after receipt of an invoice, please make sure to inform us. Otherwise, your application will be cancelled and a cancellation charge will be incurred.
- Cancellation

Once we receive your application form, no cancellation will be accepted except in an inevitable accident recognized by the organizing committee. Even in case the cancellation is accepted, a notice in writing must be sent to the secretariat and a cancellation charge will be applied as below based on the receiving date of the notice.

Notice before April 21 (Fri), 2017 …
50% of the total fee (Exhibition fee)

Notice on and after April 21 (Fri), 2017…
100% of the total fee (Exhibition fee)
- Secretariat **Neuroscience 2017 Secretariat** (c/o A&E Planning Co., Ltd.)
Iwanami Shoten Hitotsubashi Bekkan 4F, 2-4-4, Hitotsubashi, Chiyoda-ku,
Tokyo 101-0003 Japan
TEL: +81-3-3230-2744 FAX: +81-3-3230-2479
E-mail: e-staff@neuroscience2017.jnss.org

- **Booth Allocation** Booths will be allocated upon due consideration of kinds of exhibits, shapes, weight, a number of booths etc. after the application deadline and a layout will be sent with a confirmation notice. No booth allocation meeting will be held.
*Please let us know if you have any requests until the application deadline. (ex. To allocate booths side-by-side with group companies or business partners.)

- **Display Table** In case you do not need display tables and place exhibits directly on the floor, please specify the number of unnecessary table on the application form. Also, please tick the specified section if you are planning your own special decorations for your booths.

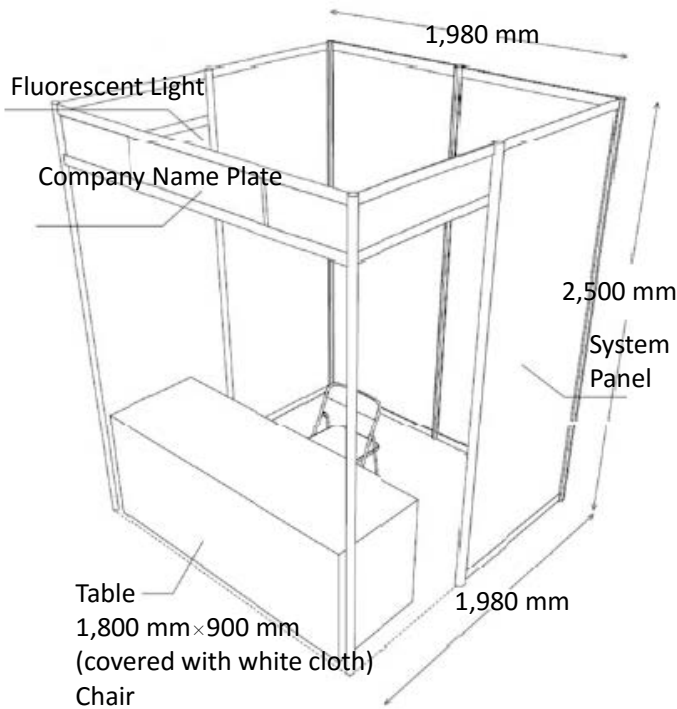
- **Exhibits Control** Please be reminded that all exhibits are under exhibitors' control, and we are not responsible for any losses, thefts, fire or damages by an inevitable accident during the exhibition.

- **Others** Distributing flyers, catalogues or samples apart from your booth during the exhibition is not permitted. Since many companies are expected to participate in the exhibition, your cooperation would be highly appreciated. However, there will be some exceptions of an extra fee option to distribute or with permission from the organizing committee.

- **Set-up & Dismantling** Set-up: July 19 (Wed),2017 2:00 pm – 5:00 pm
Dismantling: July 22 (Sat),2017 5:00 pm –
*Above schedule is subject to change. Please refer to a "Confirmation notice" sent around one month before the exhibition for the details.

- Booth Type & Fee

- Type A JPY230,000 (excl. tax) / booth



- Acceptable Exhibits

Devices, Reagents, Disposable products, Computer system including software or database, Technical service etc. related to research in medical and life sciences.

- Booth Size

W1,980 mm × D1,980 mm × H2,500 mm

- Furniture

Display Table covered with a white cloth (W1,800 mm × D900 mm × H720 mm), Company Name Plate, Fluorescent Light (40W), 1 chair per booth, 4 exhibitor's name badges per booth.

- System panel booth. Pushpins and nails are not available on the panels.

- Type B JPY30,000 (excl. tax) / booth

- Acceptable Exhibits

Related books. Translation service.
For publishers and book stores.

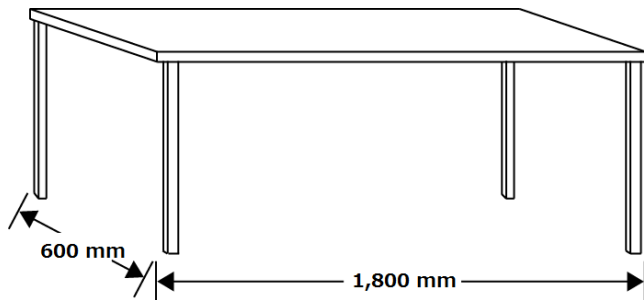
- Booth Size

W1,800 mm × D600 mm

- Furniture

Display Table (W1,800 mm × D600 mm), 1 chair, 4 exhibitor's name badges per booth

*Please prepare a company name plate and a tablecloth etc..



- Type C JPY100,000 (excl. tax) / booth * Booth spec is same as Type A.

- Acceptable Exhibits

For academic institutions, Universities, public institutions, etc..

- Booth Size

W1,980 mm × D1,980 mm × H2,500 mm

- Furniture

Display Table covered with a white cloth (W1,800 mm × D900 mm × H720 mm), Company Name Plate, Fluorescent Light (40W), 1 chair per booth, 4 exhibitor's name badges per booth.

- System panel booth. Pushpins and nails are not available on the panels.

- Electricity is optional for all types, please order in advance if needed.

If needed, please fill out the application form and send it to the secretariat. Installation work charge for electric power supply equipment and electricity charge will be billed to each exhibitor.

*Please refer to the application form for the details.

Neuroscience 2017

Application Form for Sponsorship Package

Application Deadline: March 17, 2017

Date:

Company Name		
Address	(Postal / ZIP code: _____) Address	
Person in charge	Name	TEL
	Division	FAX
	E-mail address * Please make sure to fill in a valid e-mail address.	

◆ Please choose a sponsorship package and fill in your preference for the date and name of luncheon seminar (both first and second choice).

◇ Sponsorship Package (check the box of your choice)

<input style="width: 20px; height: 20px; margin-right: 5px;" type="checkbox"/> Platinum	<input style="width: 20px; height: 20px; margin-right: 5px;" type="checkbox"/> Gold	<input style="width: 20px; height: 20px; margin-right: 5px;" type="checkbox"/> Silver
---	---	---

◇ Luncheon Seminar

*ex. First choice: July 20 / Luncheon seminar 1

First choice: July _____ / Luncheon seminar _____

Second choice: July _____ / Luncheon seminar _____

- * Priorities will be given on a first-come-first-served basis within each level.
- * Additional booths other than one(s) included in package are available at JPY230,000 (excl.tax) /booth. Please fill out the application form for the exhibition. Also, electricity of the exhibition booth is optional. If needed, please fill out and send the application form for electricity as well.
- * Please refer to each section for the details of benefit included in each sponsorship package.

Message / Inquiries (if any)

● Send to: Neuroscience 2017 Secretariat (c/o A&E Planning Co., Ltd.)
 FAX. +81-3-3230-2479 / TEL. +81-3-3230-2744 / E-mail. e-staff@neuroscience2017.jnss.org

Neuroscience 2017

Application Form for Electricity

Application Deadline: May 19, 2017

Electricity is not included in the exhibition fee. If you need electricity for your products, special decoration lightings etc., please fill out and send this form. Installation work charge for electric power supply equipment and electricity charge will be billed to each exhibitor.

- 1 fluorescent Light (40W) per booth will be attached to the back side of the parapet for Type A and C.
- Type B has no lighting.
- An invoice will be sent after the meeting.
- Electricity charge is as follows:

100V / with 2 outlets inside booth

- 500W JPY30,000 (excl. tax)

501W - 1KW JPY35,000 (excl. tax)

* For the use of over 1KW, JPY15,000 (excl. tax) per 1KW will be added.

* 1 extra outlet per 1KW will be attached.

* Additional outlets and earth terminal require extra charges.

* Please note that 200V power supply (three phase / single phase) needs another installation work and can be rather expensive.

* In case you need a breaker instead of outlets for special decorations, please tick the specified section. Please arrange further electrical work from a breaker and submit a drawing of your booth indicating a breaker position later.

Date:

Company Name			
Address	(Postal / ZIP code: _____)		
	Address		
Person in charge	Name	TEL	
	Division	FAX	
	E-mail address * Please make sure to fill in a valid e-mail address.		

We hereby apply for electricity as follows:

100V	W		Charge: JPY _____
200V	W	- Single phase / Three phase	Charge: _____ Please ask _____

Please tick if you need a breaker instead of outlets for special decorations etc.

● Send to: Neuroscience 2017 Secretariat (c/o A&E Planning Co., Ltd.)

FAX. +81-3-3230-2479 / TEL. +81-3-3230-2744 / E-mail. e-staff@neuroscience2017.jnss.org

Secretariat use: Receipt

Invoice

Booth No.